

US00D908286S

(12) **United States Design Patent** (10) **Patent No.:** **US D908,286 S**  
**Haile** (45) **Date of Patent:** **\*\* Jan. 19, 2021**

(54) **DRILL DOCK**  
(71) Applicant: **NAIL ALLIANCE, LLC**, Gladstone, MO (US)  
(72) Inventor: **Danny Lee Haile**, La Habra, CA (US)  
(73) Assignee: **NAIL ALLIANCE, LLC**, Gladstone, MO (US)

D786,789 S \* 5/2017 Jordan ..... D13/108  
D818,994 S \* 5/2018 Yun ..... D14/224  
D822,280 S \* 7/2018 Dadon ..... D28/58  
10,010,114 B2 \* 7/2018 Jordan ..... H02J 7/0044  
D828,807 S \* 9/2018 Yohai-Giochais ..... D13/108  
D858,438 S \* 9/2019 Levy ..... D13/108  
D869,393 S \* 12/2019 Urasini ..... D13/108  
D878,085 S \* 3/2020 Werner ..... D6/526  
D880,419 S \* 4/2020 Hernandez ..... D13/108

(Continued)

(\*\*) Term: **15 Years**

**OTHER PUBLICATIONS**

(21) Appl. No.: **29/659,567**

<https://www.youtube.com/watch?v=llbb6qHG1kc> Gelish Go File, www.youtube.com, 1 page, downloaded Apr. 7, 2020, reviewed Mar. 11, 2019 (Year: 2019).\*

(22) Filed: **Aug. 9, 2018**

(Continued)

(51) **LOC (13) Cl.** ..... **28-03**

(52) **U.S. Cl.**  
USPC ..... **D28/61**; D28/58

(58) **Field of Classification Search**  
USPC ..... D28/73, 57-58, 61, 62; D13/108  
CPC ..... A45D 29/007; A45D 29/05; A45D 29/14;  
A45D 29/18; A45D 29/20; H02J 7/0045;  
H02J 7/0044

See application file for complete search history.

*Primary Examiner* — Jennifer Rivard  
(74) *Attorney, Agent, or Firm* — Polsinelli PC

(57) **CLAIM**

I claim the ornamental design for a drill dock, as shown and described.

**DESCRIPTION**

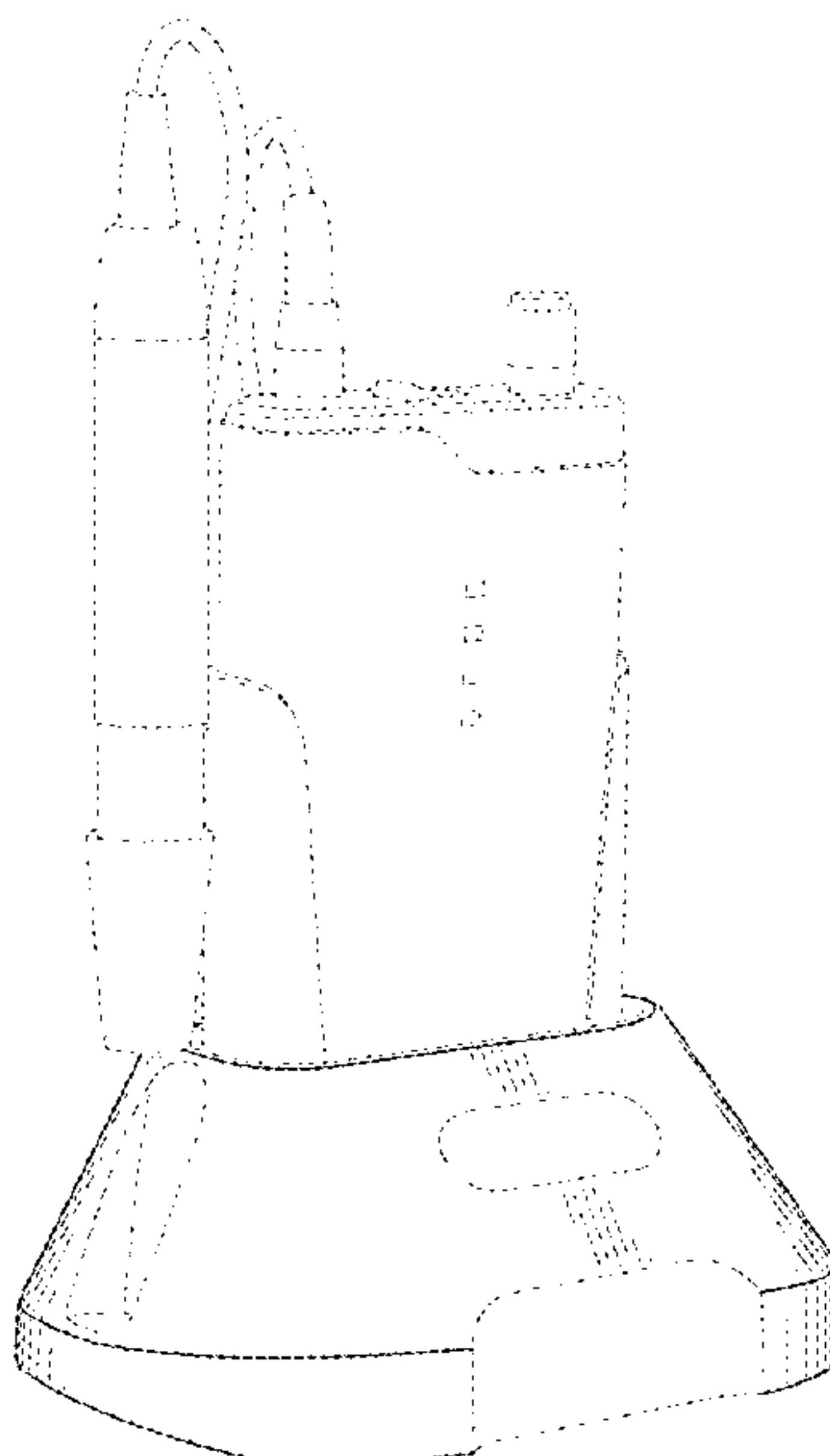
(56) **References Cited**

**U.S. PATENT DOCUMENTS**

D417,430 S \* 12/1999 Ko ..... D13/107  
D417,431 S \* 12/1999 Okura ..... D13/108  
D460,971 S \* 7/2002 Sica ..... D14/434  
D466,700 S \* 12/2002 Richmond ..... D13/108  
D513,341 S \* 12/2005 Ullmann ..... D28/44  
D519,682 S \* 4/2006 Choi ..... D28/73  
D555,087 S \* 11/2007 Brefka ..... D13/107  
D576,547 S \* 9/2008 Kling ..... D13/108  
D621,347 S \* 8/2010 Aulwes ..... D13/108  
D676,807 S \* 2/2013 Ino ..... D13/108  
D687,599 S \* 8/2013 Amit ..... D24/186  
D731,707 S \* 6/2015 Grabes ..... D28/44  
D750,853 S \* 3/2016 Smith ..... D28/44  
D765,913 S \* 9/2016 Dadon ..... D28/58

FIG. 1 is an isometric view of an embodiment of a drill dock, showing my new design, showing a drill receivable therein; FIG. 2 is an isometric view of a drill dock; FIG. 3 is a top plan view thereof; FIG. 4 is a bottom plan view thereof; FIG. 5 is a right side view thereof; FIG. 6 is a left side view thereof; FIG. 7 is a front elevational view thereof; and, FIG. 8 is a rear elevational view thereof; The electric nail file and battery shown in broken lines illustrate the environment of the drill dock. The remaining broken lines illustrate portions of the drill dock. None of the broken lines forms parts of the claimed design.

**1 Claim, 5 Drawing Sheets**



(56)

**References Cited**

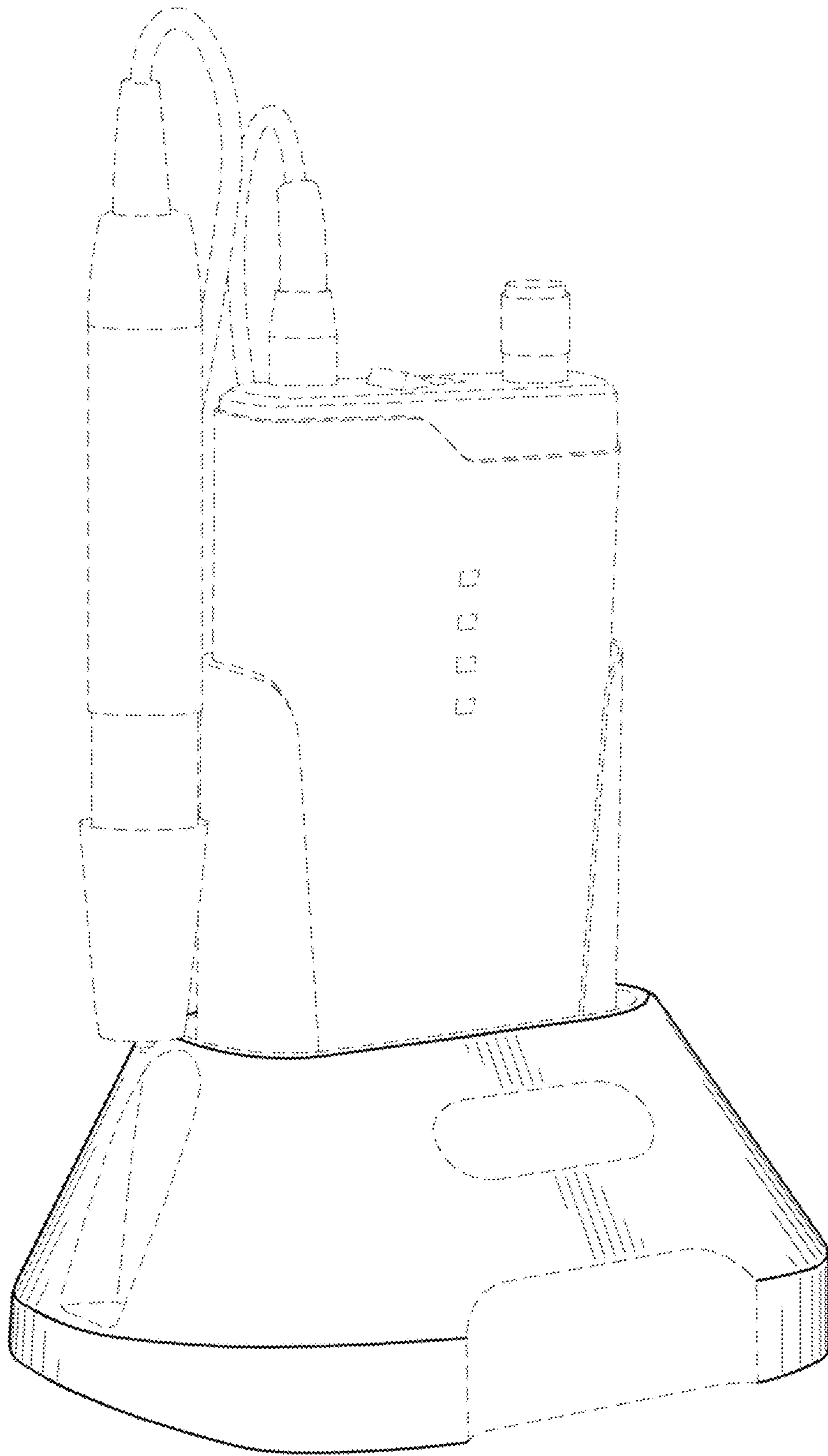
U.S. PATENT DOCUMENTS

2020/0052514 A1\* 2/2020 Haile ..... A45D 29/05

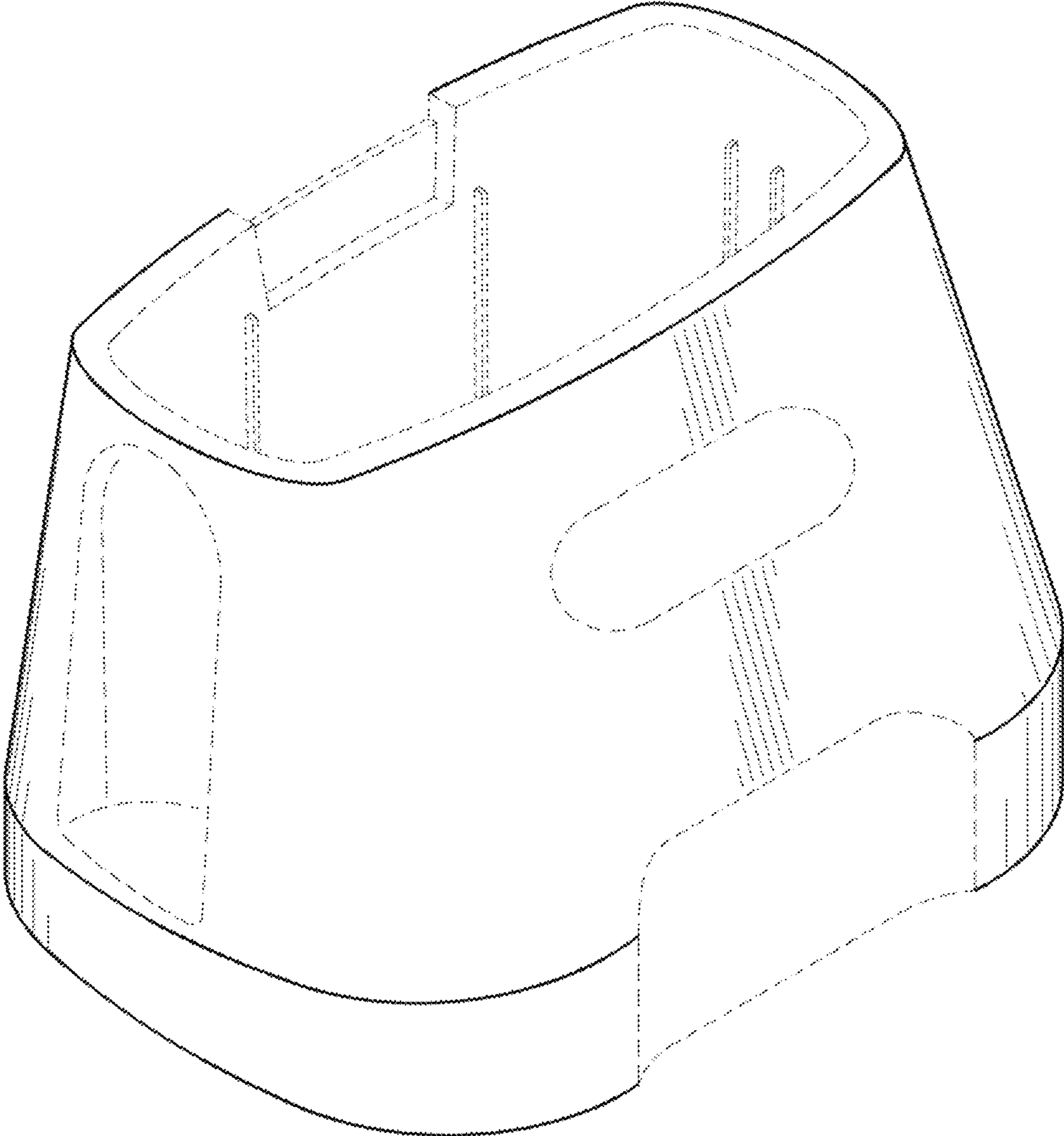
OTHER PUBLICATIONS

Touchbeauty Nail file drill, www.amazon.com, 1 page, downloaded Apr. 7, 2020, reviewed as early as Sep. 2017 (Year: 2017) [https://www.amazon.com/TOUCHBeauty-Professional-Fingernails-Attachment-TB-1335/dp/B00X5TO69E/ref=sr\\_1\\_5?dchild=1&keywords=touchbeauty%2Bnail%2Bdrill&qid=1586287511&s=beauty&sr=1-5&th=1](https://www.amazon.com/TOUCHBeauty-Professional-Fingernails-Attachment-TB-1335/dp/B00X5TO69E/ref=sr_1_5?dchild=1&keywords=touchbeauty%2Bnail%2Bdrill&qid=1586287511&s=beauty&sr=1-5&th=1).\*

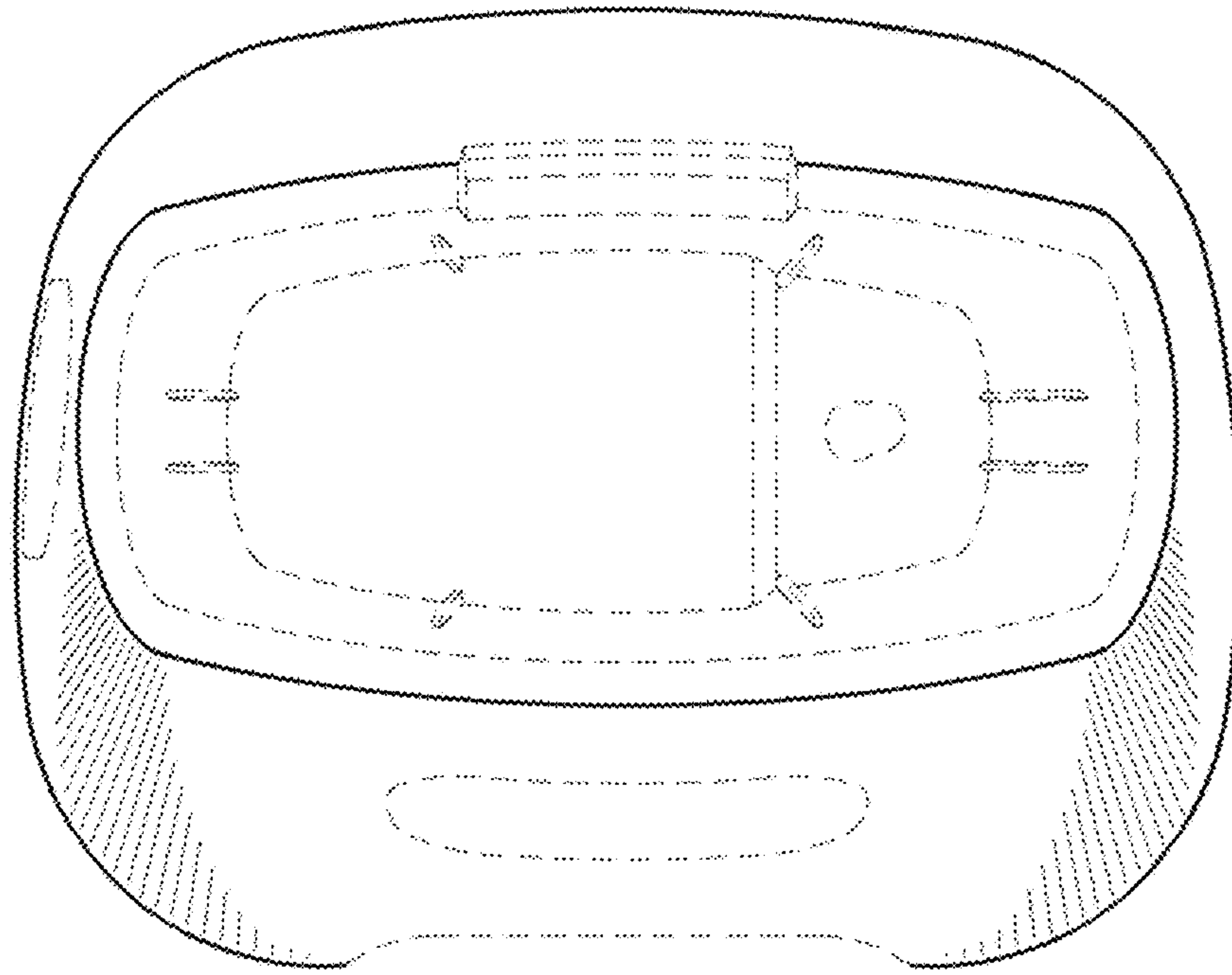
\* cited by examiner



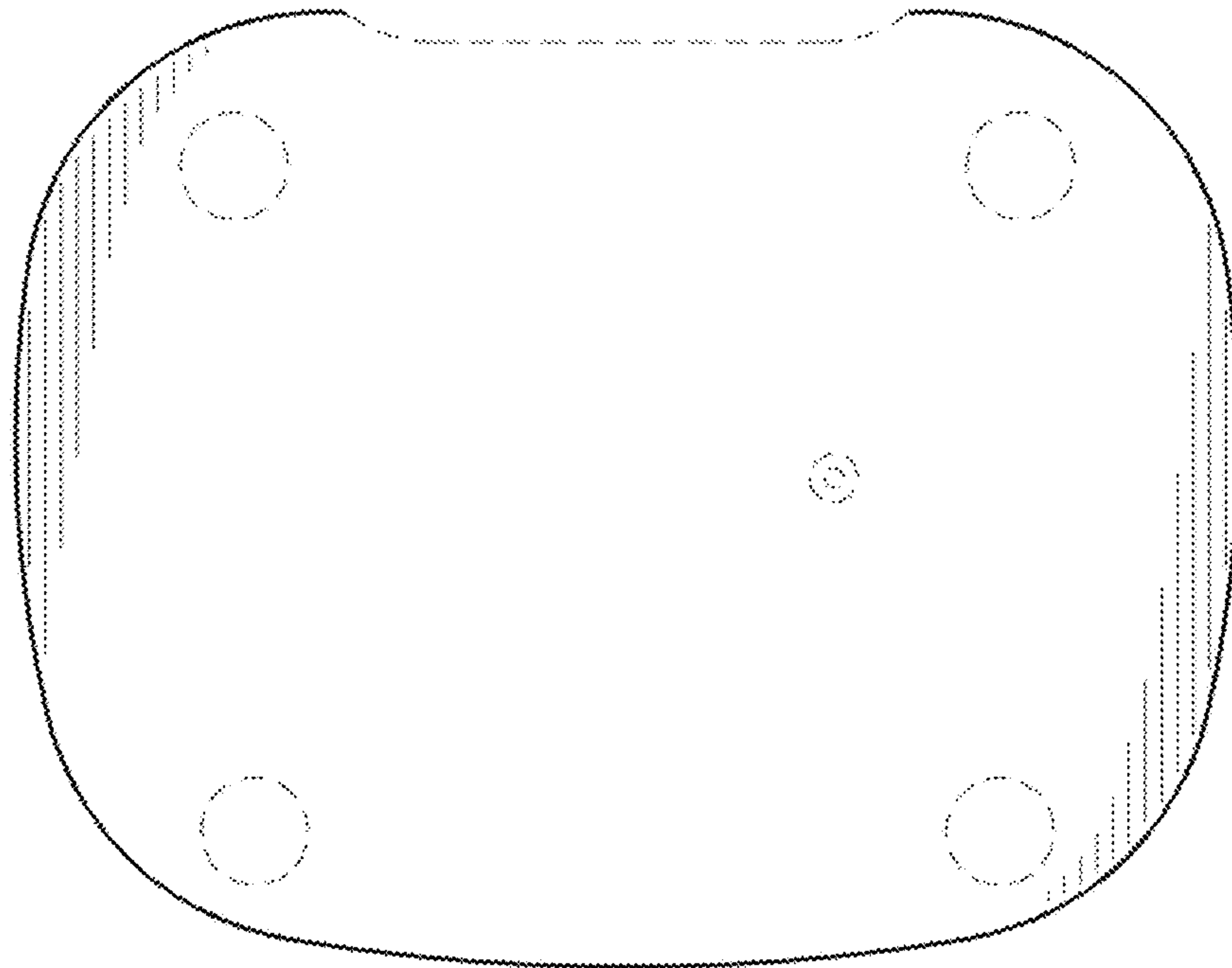
*Fig. 1*



*Fig. 2*

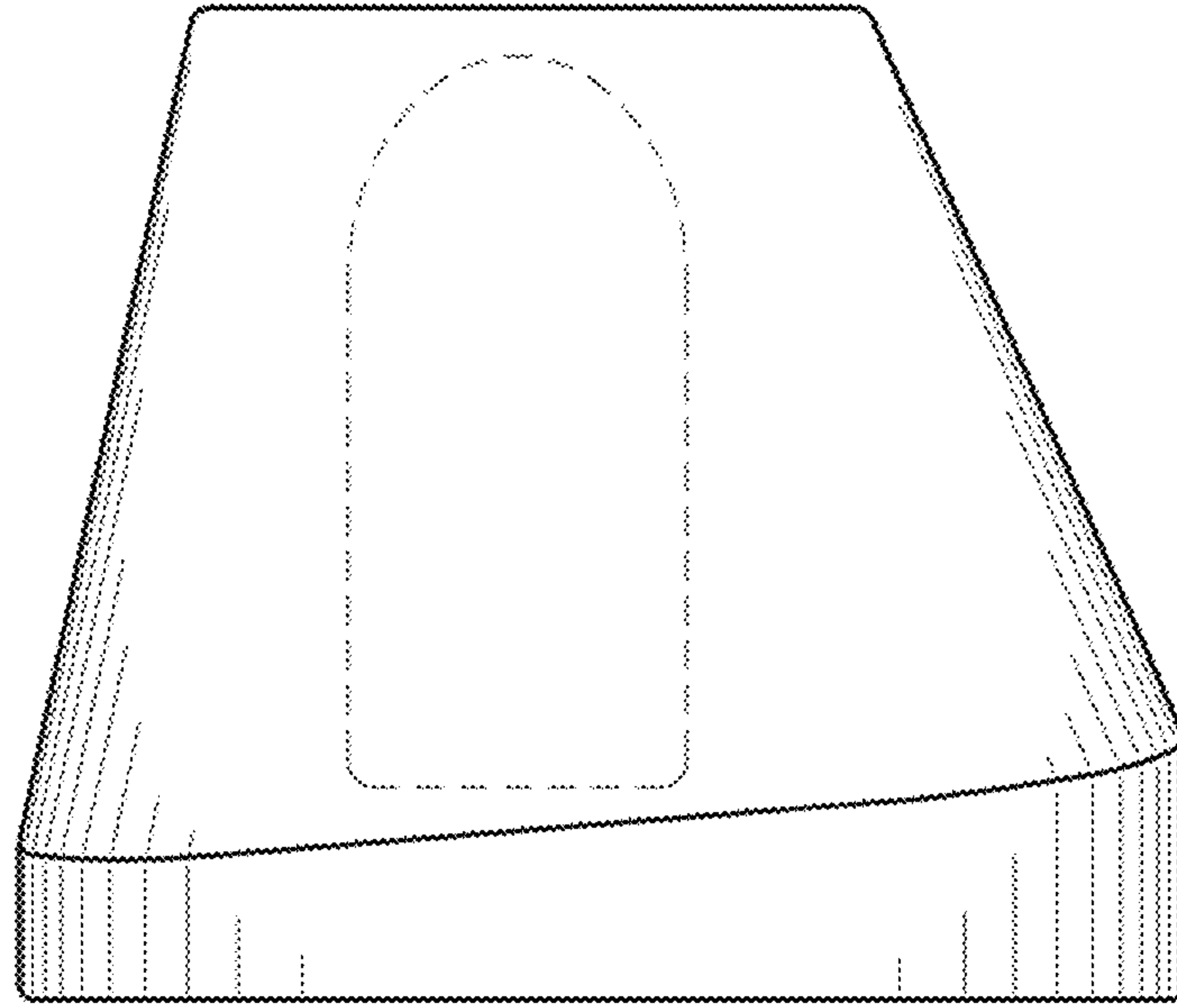


*Fig. 3*

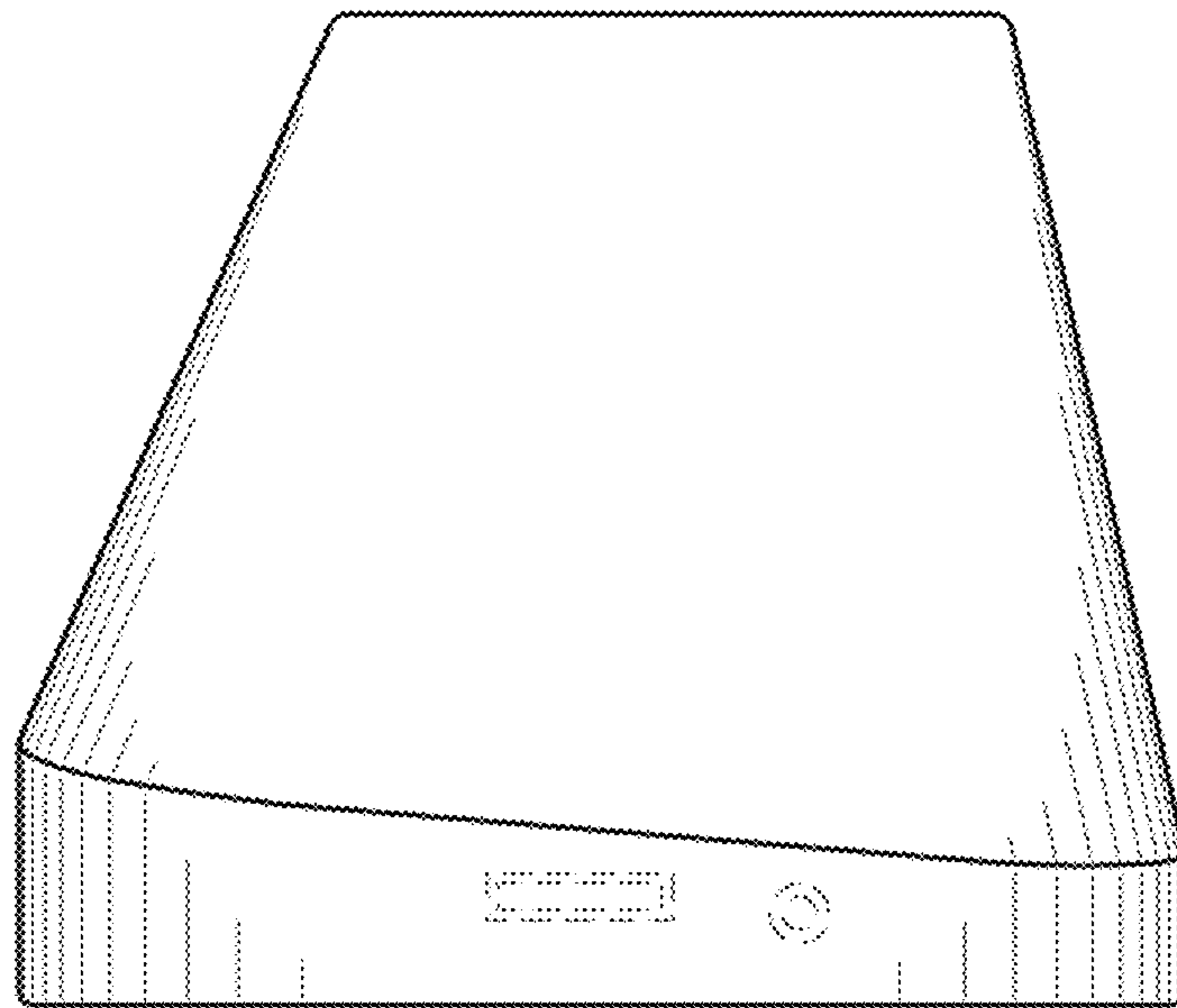


*Fig. 4*

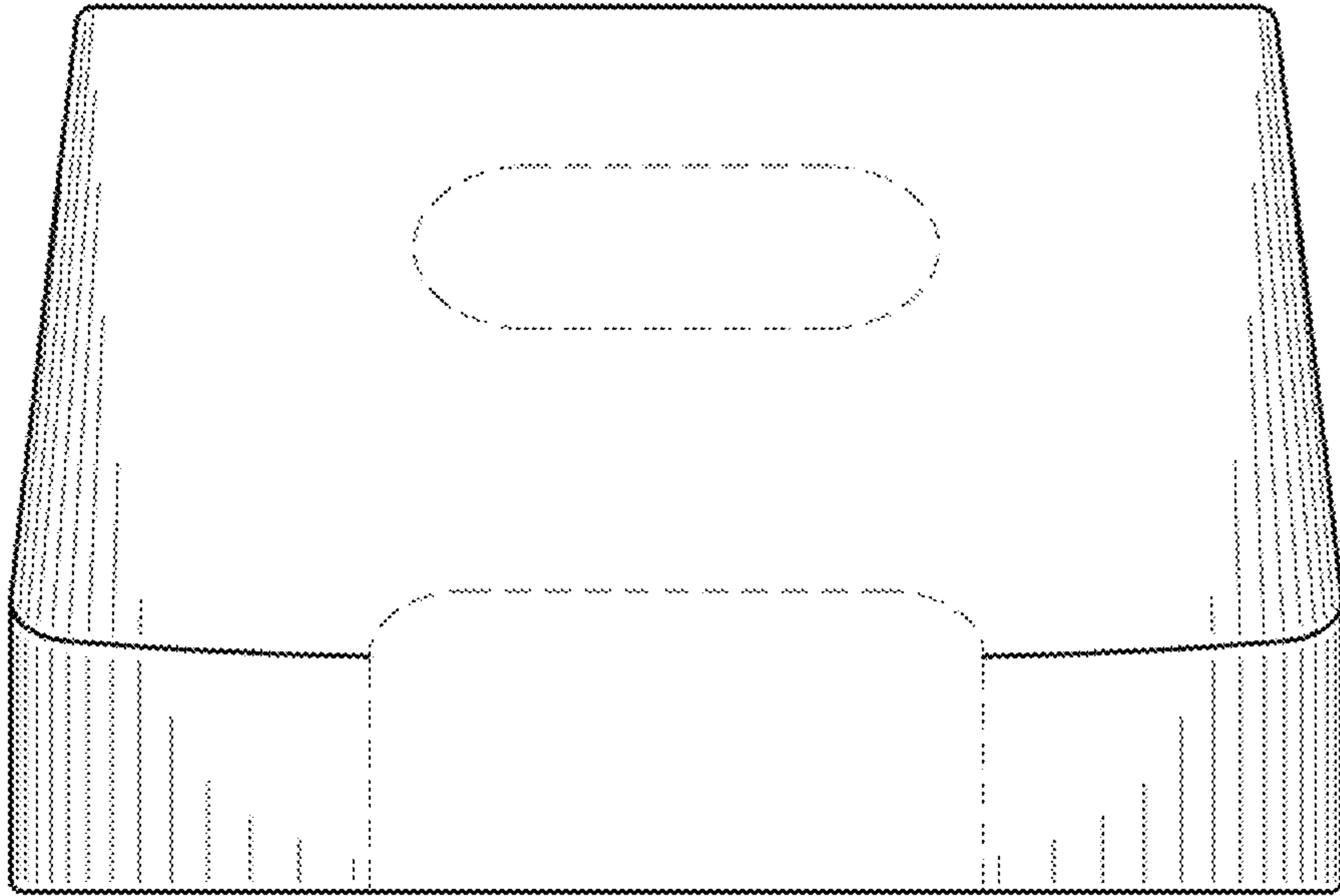




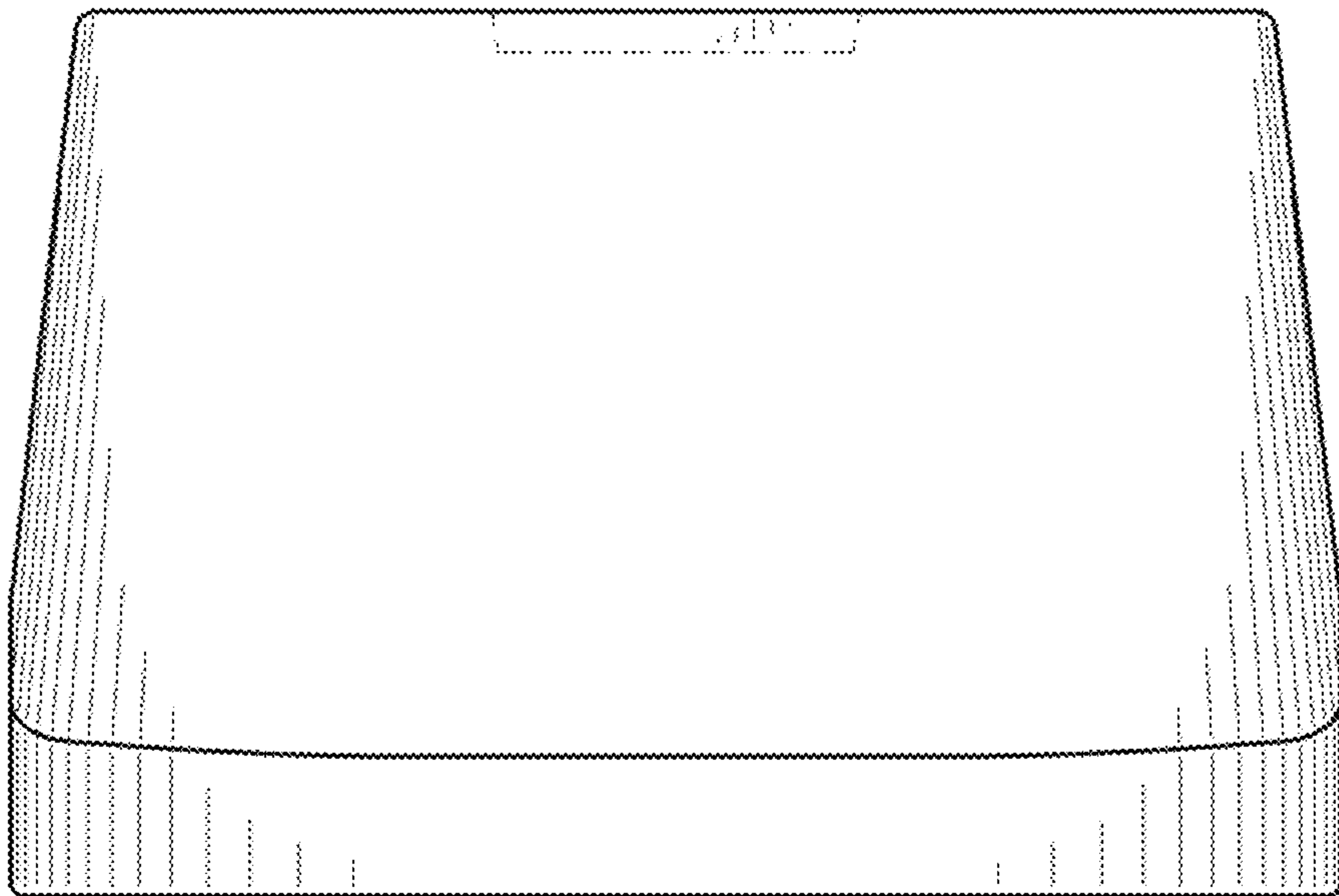
*Fig. 5*



*Fig. 6*



*Fig. 7*



*Fig. 8*