



US00D651515S

(12) **United States Design Patent**
Haile

(10) **Patent No.:** **US D651,515 S**

(45) **Date of Patent:** **** Jan. 3, 2012**

(54) **BOTTLE WITH TRANSPARENT WINDOW**

(76) Inventor: **Danny Lee Haile**, La Mirada, CA (US)

(**) Term: **14 Years**

(21) Appl. No.: **29/379,634**

(22) Filed: **Nov. 22, 2010**

(51) **LOC (9) Cl.** **09-01**

(52) **U.S. Cl.** **D9/503; D9/553**

(58) **Field of Classification Search** D9/418,
D9/434, 500, 502-505, 516, 549-550, 558,
D9/574-575, 715, 718-719, 553, 566; D4/116;
D28/4, 7, 76-77, 99; 206/15.2, 15.3; 401/129;
215/379, 381-382; 220/660, 669, 675

See application file for complete search history.

(56) **References Cited**

U.S. PATENT DOCUMENTS

| | | | |
|---------------|---------|-----------------|---------|
| D28,240 S | 2/1898 | Wellhouse | |
| D68,779 S | 11/1925 | Gibson | |
| D69,493 S | 2/1926 | Ciardi | |
| D73,190 S | 8/1927 | Mezitis | |
| D76,350 S | 9/1928 | Love et al. | |
| D78,110 S | 3/1929 | Lancet | |
| D121,927 S | 8/1940 | Miller, Jr. | |
| 2,249,832 A | 7/1941 | Hubschman | |
| D157,414 S | 2/1950 | Parentice | |
| 2,532,857 A * | 12/1950 | Ricciardi | 220/662 |
| D162,721 S | 4/1951 | Ferraro | |
| D168,416 S | 12/1952 | McGinnis | |
| 3,337,901 A | 8/1967 | Schefer et al. | |
| 3,361,304 A | 1/1968 | Thompson | |
| 3,362,587 A | 1/1968 | Postel | |
| D214,159 S * | 5/1969 | Hart et al. | D9/503 |
| D249,870 S * | 10/1978 | Tillander | D9/607 |
| D259,252 S * | 5/1981 | Acker | D4/116 |
| D298,514 S | 11/1988 | Dole et al. | |
| D330,859 S | 11/1992 | Schaeffer | |
| D332,919 S * | 2/1993 | Turnbull et al. | D9/500 |

| | | | |
|--------------|---------|------------------|--------|
| D333,428 S | 2/1993 | Gobe | |
| D363,375 S * | 10/1995 | Arntsen | D4/116 |
| D365,751 S | 1/1996 | Hsu | |
| D399,658 S | 10/1998 | Nosella | |
| D422,219 S | 4/2000 | Gobe | |
| D429,154 S * | 8/2000 | Chang | D9/503 |
| D431,779 S | 10/2000 | Nosella | |
| D449,228 S * | 10/2001 | Nosella | D9/500 |
| D476,901 S * | 7/2003 | Crawford | D9/557 |
| D477,066 S | 7/2003 | Lonzak et al. | |
| D479,134 S | 9/2003 | Murata | |
| D487,703 S | 3/2004 | Orsomando | |
| D488,064 S * | 4/2004 | Crawford | D9/502 |
| D538,479 S | 3/2007 | Martinez | |
| D543,113 S | 5/2007 | Mongeon et al. | |
| D543,114 S | 5/2007 | Mongeon et al. | |
| D556,040 S | 11/2007 | Kawashima et al. | |

(Continued)

FOREIGN PATENT DOCUMENTS

JP 1202886 4/2004

(Continued)

Primary Examiner — Ian Simmons

Assistant Examiner — Dana L Sipos

(74) *Attorney, Agent, or Firm* — Feldman Gale, P.A.; Walter C. Frank

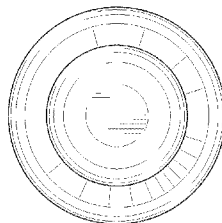
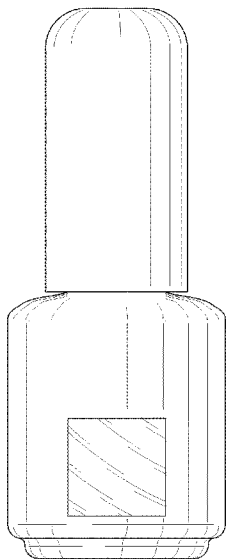
(57) **CLAIM**

I claim the ornamental design for a bottle with transparent window, as shown and described.

DESCRIPTION

FIG. 1 is a front elevation view of a bottle with transparent window showing my new design;
FIG. 2 is a rear elevation view thereof;
FIG. 3 is a right side elevation view thereof; and,
FIG. 4 is a top plan view thereof; and FIG. 5 is a bottom plan view thereof.

1 Claim, 2 Drawing Sheets



US D651,515 S

Page 2

U.S. PATENT DOCUMENTS

| | | | | |
|----------|---|----------|-----------------|--------------|
| D556,043 | S | 11/2007 | Rabie | |
| D560,508 | S | 1/2008 | Lepoitevin | |
| D563,798 | S | 3/2008 | Gibson et al. | |
| D568,753 | S | 5/2008 | Woolf | |
| D569,734 | S | * 5/2008 | Imperato et al. | D9/560 |
| D595,125 | S | * 6/2009 | Doyle | D9/418 |
| D598,289 | S | 8/2009 | Taylor | |

| | | | |
|----------|---|--------|---------------|
| D600,134 | S | 9/2009 | Black |
| D607,728 | S | 1/2010 | Berger et al. |
| D613,173 | S | 4/2010 | Bansal |
| D617,206 | S | 6/2010 | Shaw et al. |

FOREIGN PATENT DOCUMENTS

| | | |
|----|------------|---------|
| KR | 30-0266534 | 11/2000 |
|----|------------|---------|

* cited by examiner

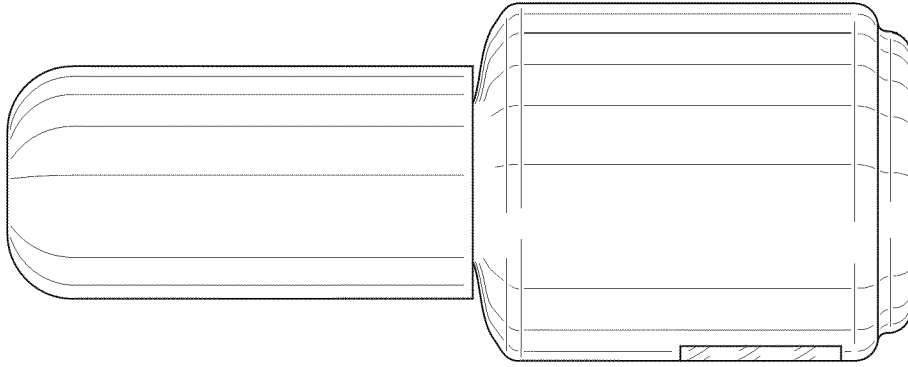


FIG. 3

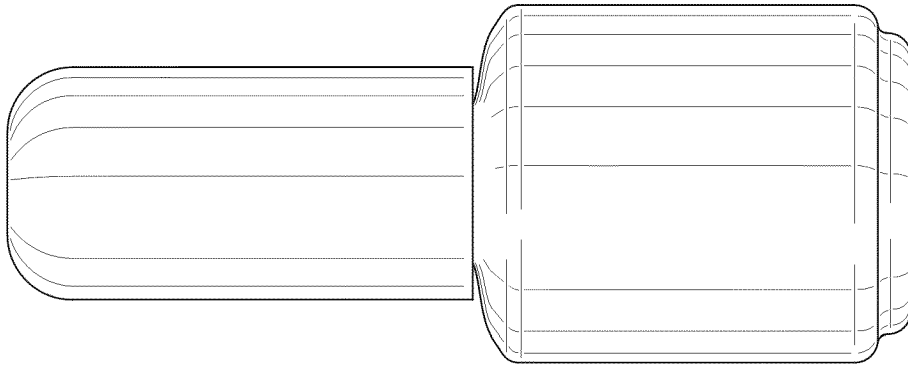


FIG. 2

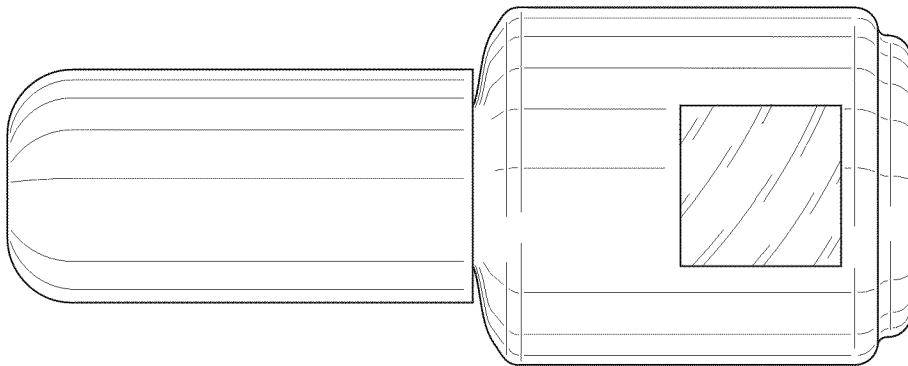


FIG. 1

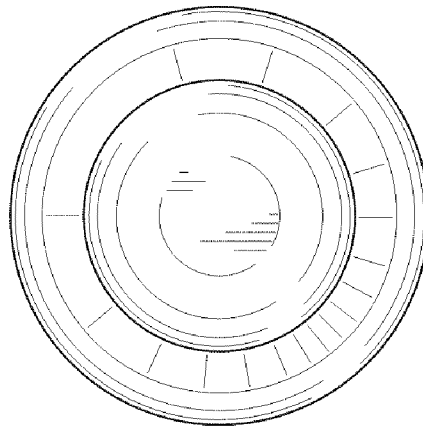


FIG. 4

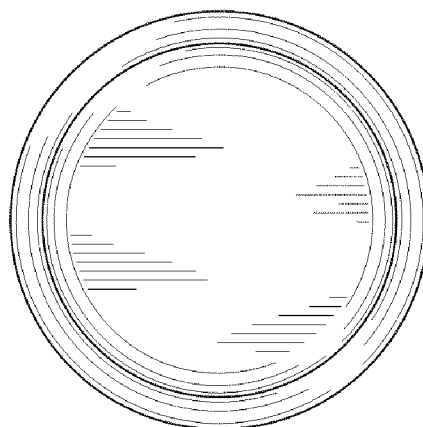


FIG. 5